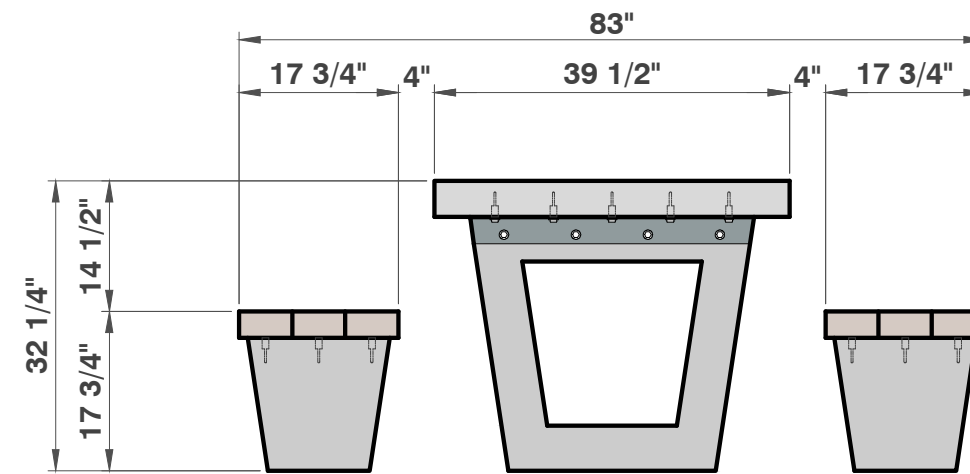
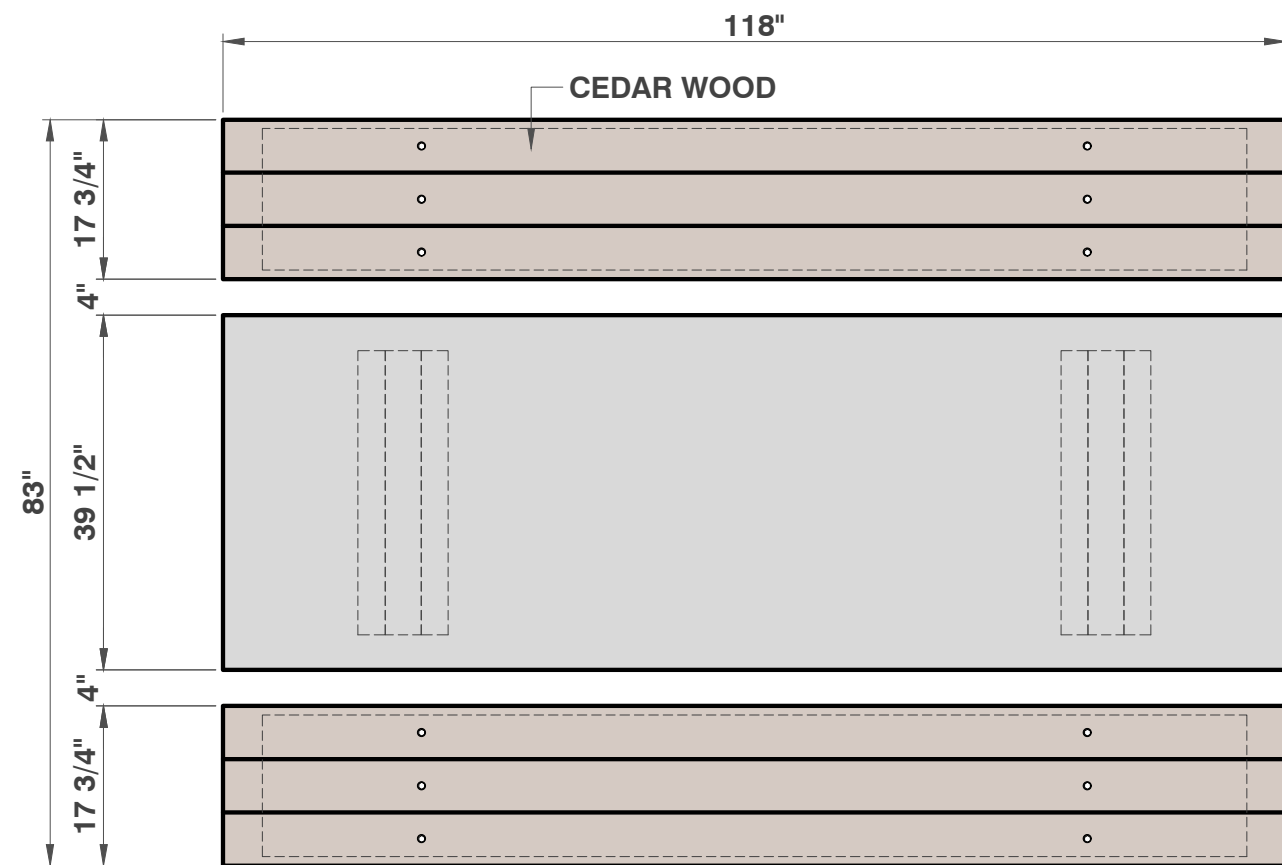


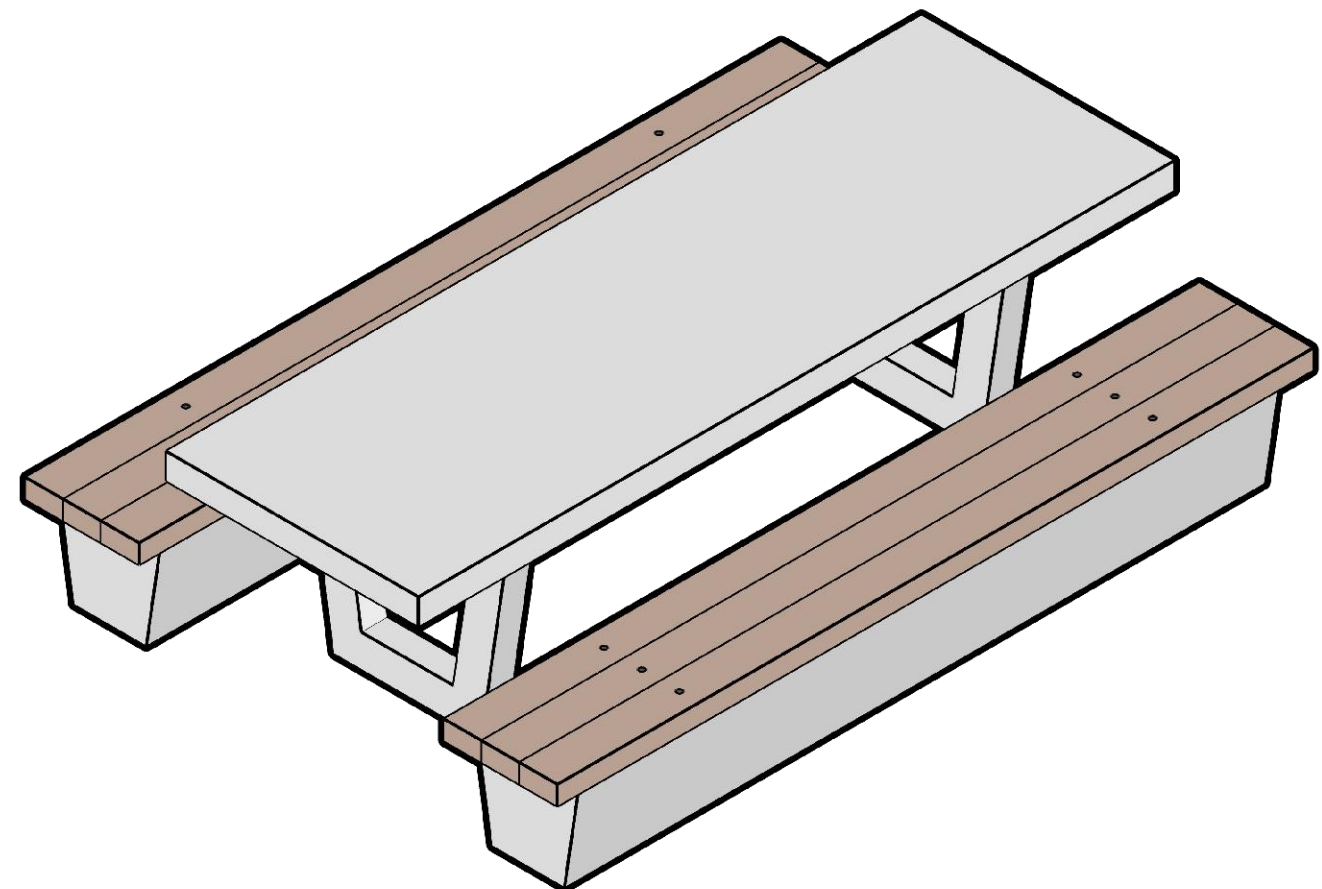
ELEVATION
9/16"=1'



END VIEW
9/16"=1'



TOP VIEW
9/16"=1'



3D DRAWING

NOTE: DIMENSIONS HAVE BEEN ROUNDED TO 1/4"

| CUSTOMER DETAIL INFORMATION | |
|-----------------------------|---------------------------------------|
| QUANTITY | |
| FINISH | LIGHT SANDBLAST |
| COLOUR | NATURAL CONCRETE GREY |
| WEIGHT | TABLE: 2054 LBS. BENCH: 2044 LBS. EA. |
| DIMENSIONS | 118 1/8" x 82 7/8" x 32 1/4" |



PROJECT DESCRIPTION:
HARVEST TABLE

DRAWN BY: YJE
REQD BY: JP
APPROVED BY:

| RN. | DESCRIPTION | MM/DD/YY | SCALE: AS SHOWN |
|-----|-------------|----------|-----------------|
| | | | DATE: 09/30/21 |
| | | | PAGE NO: 01 |

D:\SANDERSON CONCRETE INC\001177 - 092021 - Harvest Table - JP\01.ACAD\01.SET\Harvest Table 092821(Website Only).dwg