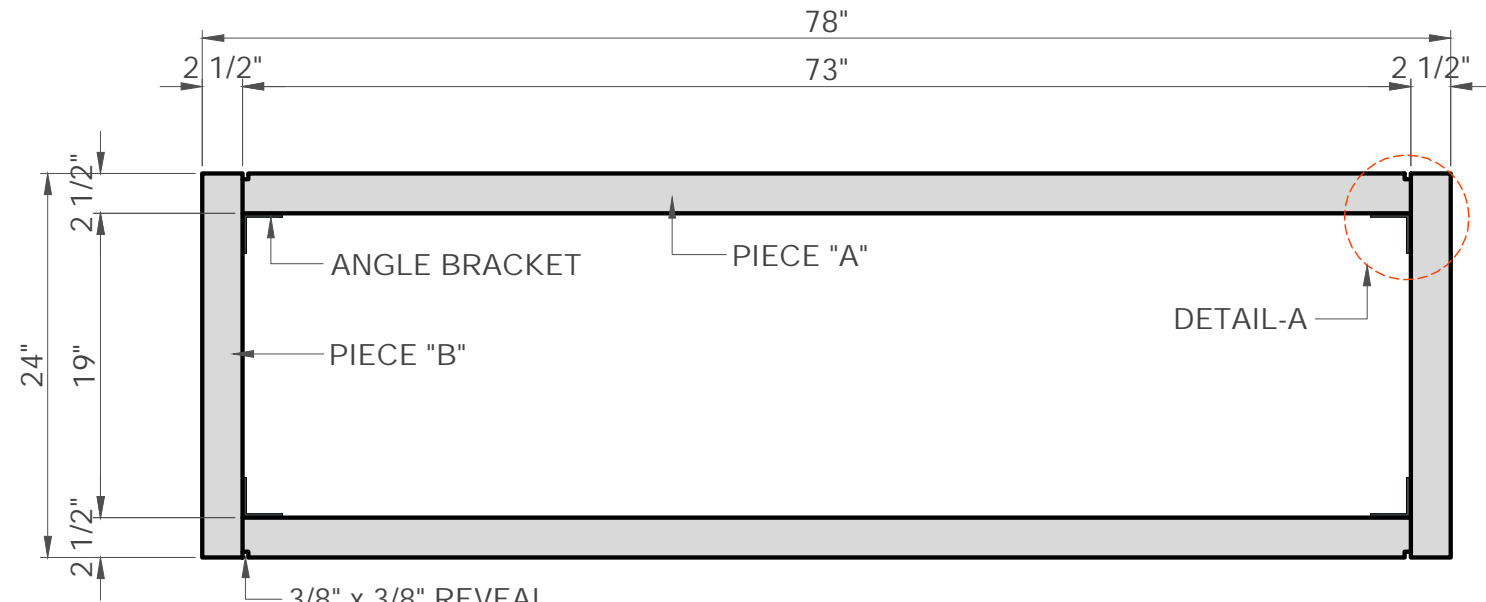
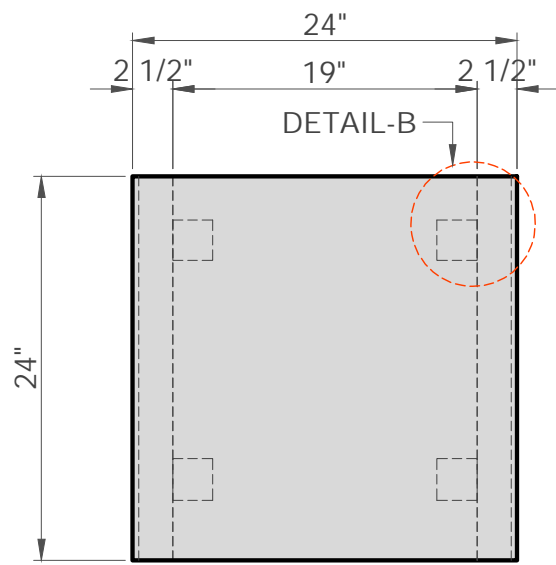


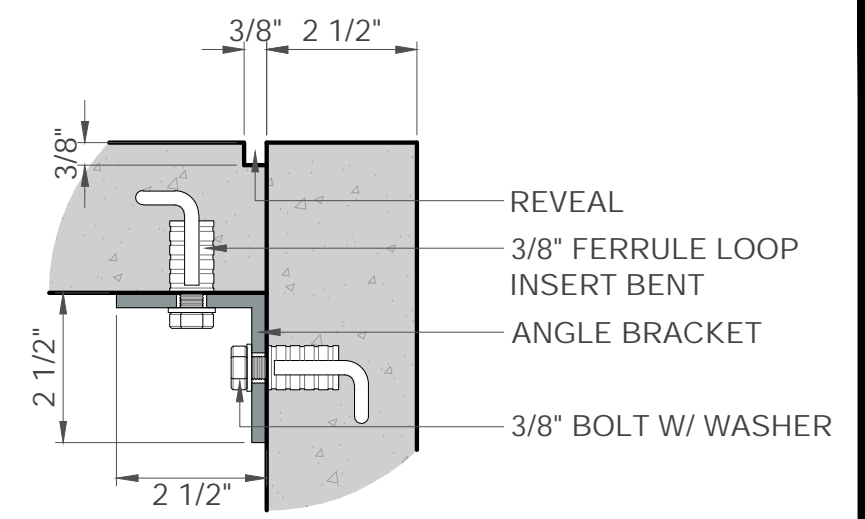
ELEVATION
1"=1'



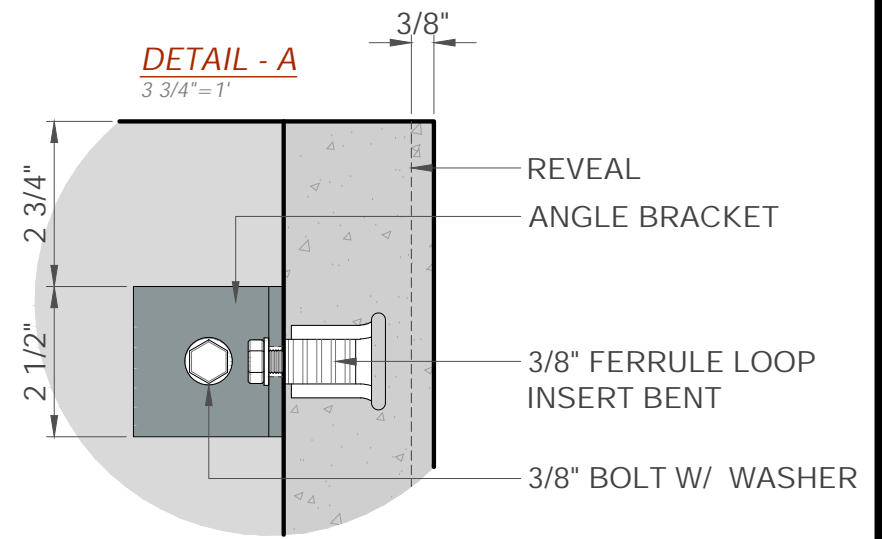
TOP VIEW
1"=1'



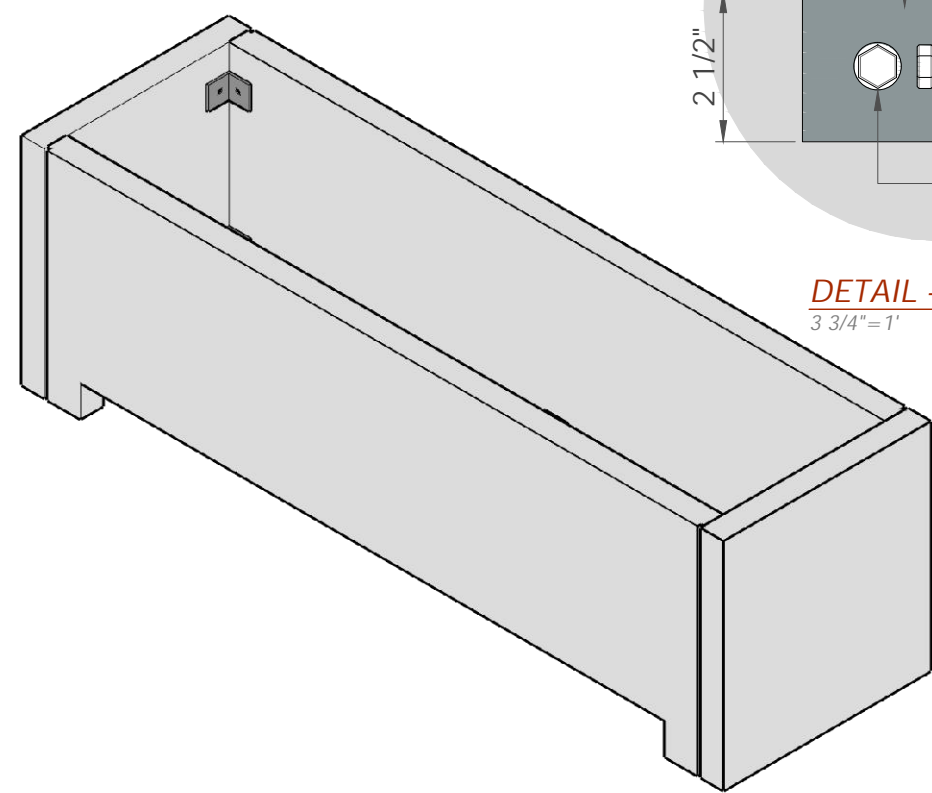
END VIEW
1"=1'



DETAIL - A
3 3/4"=1'



DETAIL - B
3 3/4"=1'



COMPLETE 3D PIECE ISOMETRIC VIEW

- 2PCS END PANELS (24" x 24" x 2 1/2")
- 2PCS FRONT PANELS (73" x 24" x 2 1/2")
- 4PCS ANGLE BRACKETS (1/4" x 2 1/2" x 2 1/2")
- 16PCS 3/8" BOLTS W/ WASHERS

CUSTOMER DETAIL INFORMATION	
QUANTITY	
FINISH	LIGHT SANDBLAST, EXPOSED AGGREGATES, POLISHED
COLOUR	NATURAL CONCRETE GREY (CUSTOM COLOUR AVAILABLE)
WEIGHT (TOTAL)	931 LBS.
DIMENSIONS	78" x 24" x 24"



PROJECT DESCRIPTION:
RAISED GARDEN BED PLANTER

DRAWN BY: YJE	REOD BY: JP	RN.	DESCRIPTION	MM/DD/YY	SCALE: AS SHOWN
APPROVED BY:					DATE: 07/15/21
					DWG NO: 01

D:\SANDERSON CONCRETE INC\001134 - 052021 - Raised Garden Bed Planters - JZ01 - ACAD\01 - SET\Raised Garden Bed Planter R101 07152021.dwg