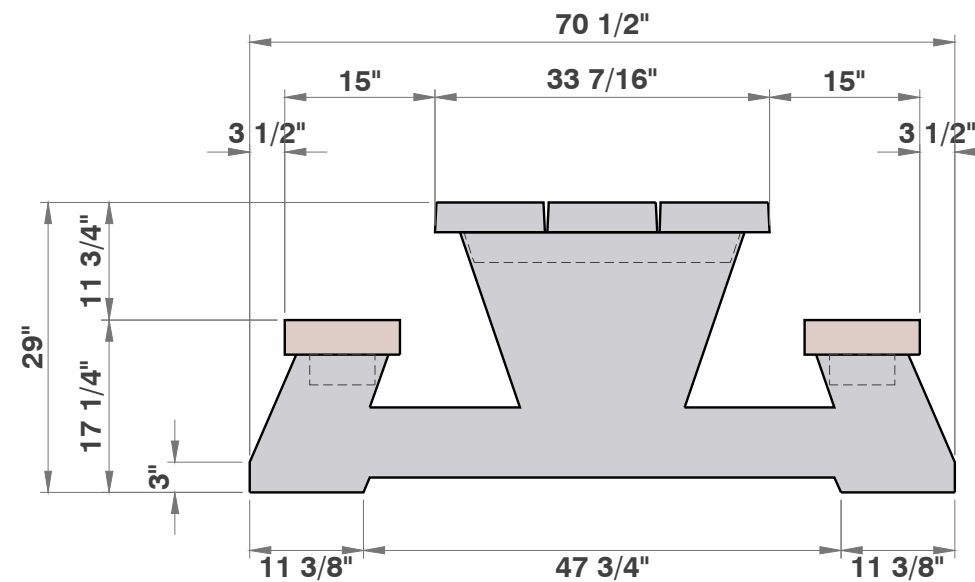
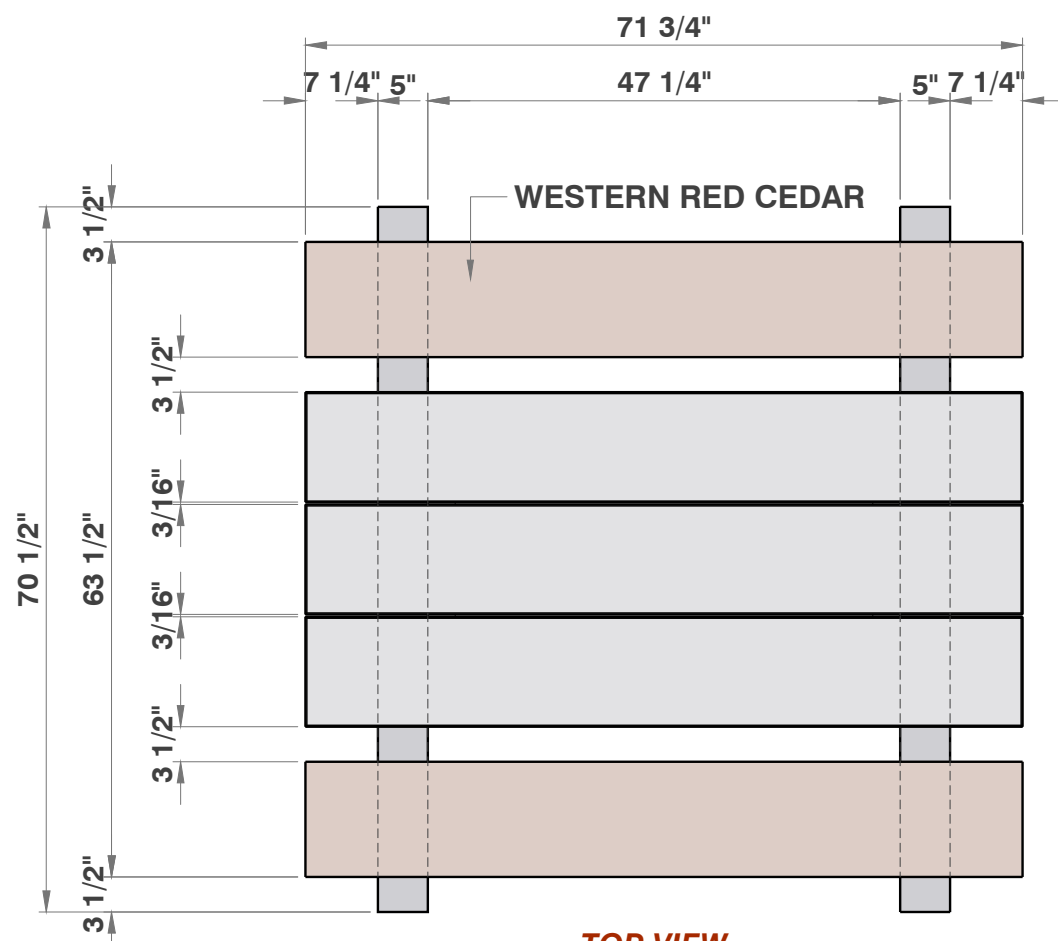


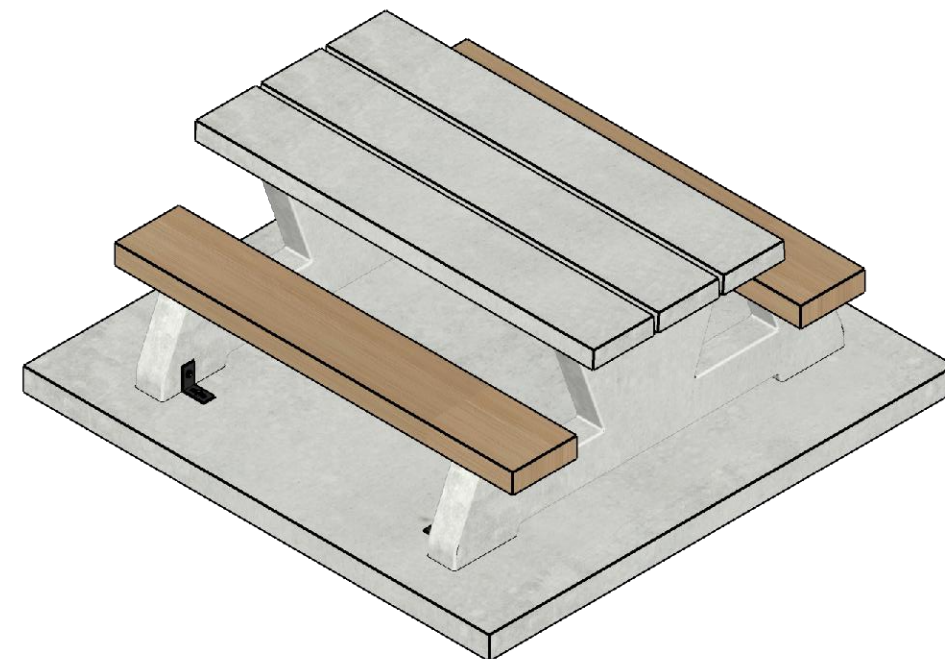
**ELEVATION**  
5/8" = 1'



**END VIEW**  
5/8" = 1'



**TOP VIEW**  
5/8" = 1'



**COMPLETE 3D PIECE ISOMETRIC VIEW**

CUSTOMER DETAIL INFORMATION	
QUANTITY	
FINISH	
COLOUR	
WEIGHT (TOTAL)	1670 LBS.
DIMENSIONS	71 3/4" x 70 1/2" x 29"



PROJECT DESCRIPTION:  
**PACIFIC PICNIC TABLE**

DRAWN BY:  
**YJE**

REQD BY:  
**JP**

APPROVED BY:

RN.	DESCRIPTION	MM/DD/YY	SCALE: AS SHOWN
			DATE: 05/17/21
			DWG NO: 01