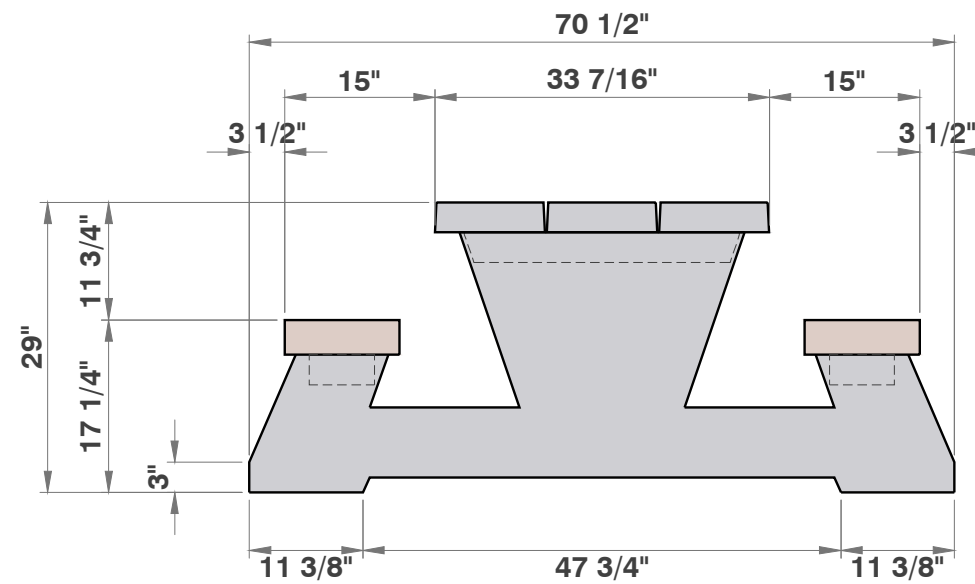


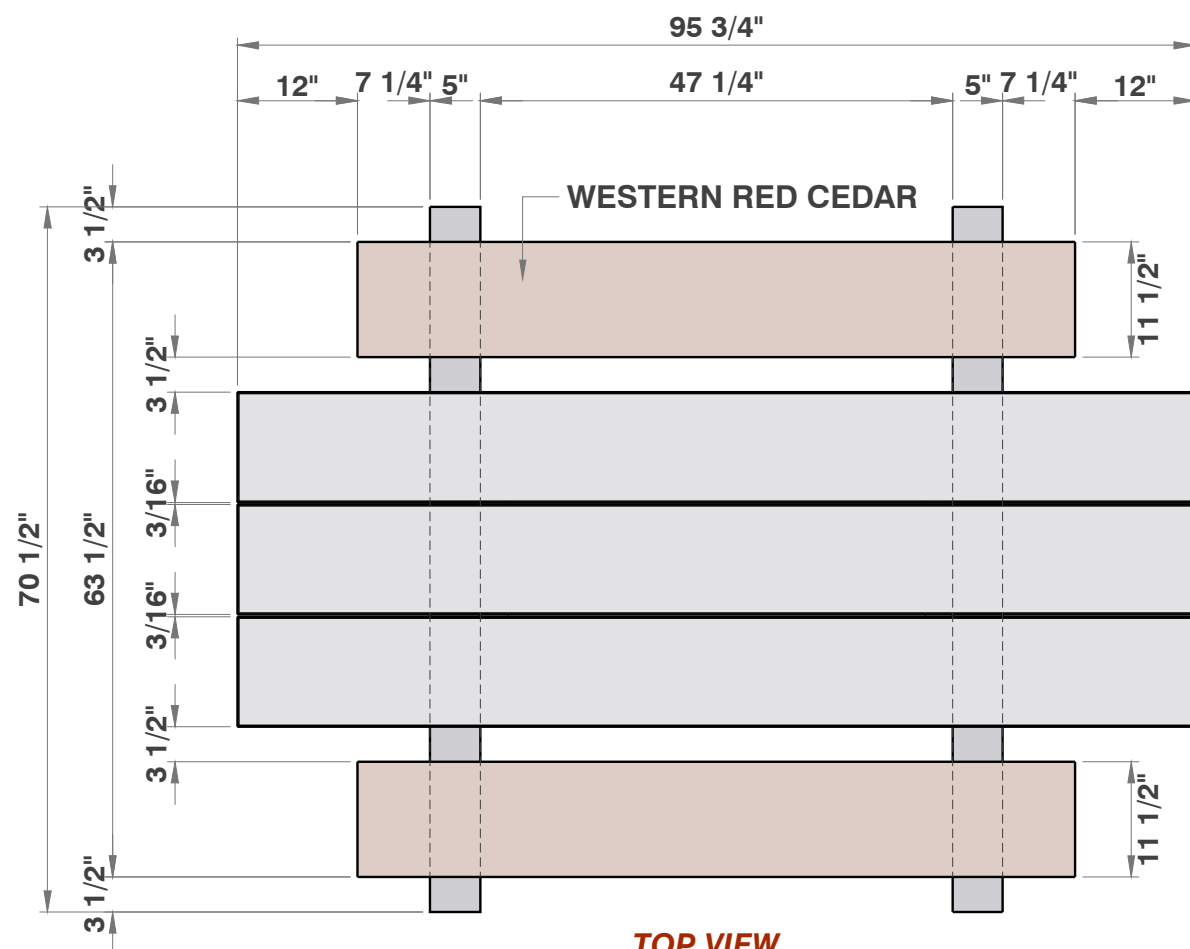
ELEVATION

5/8" = 1'



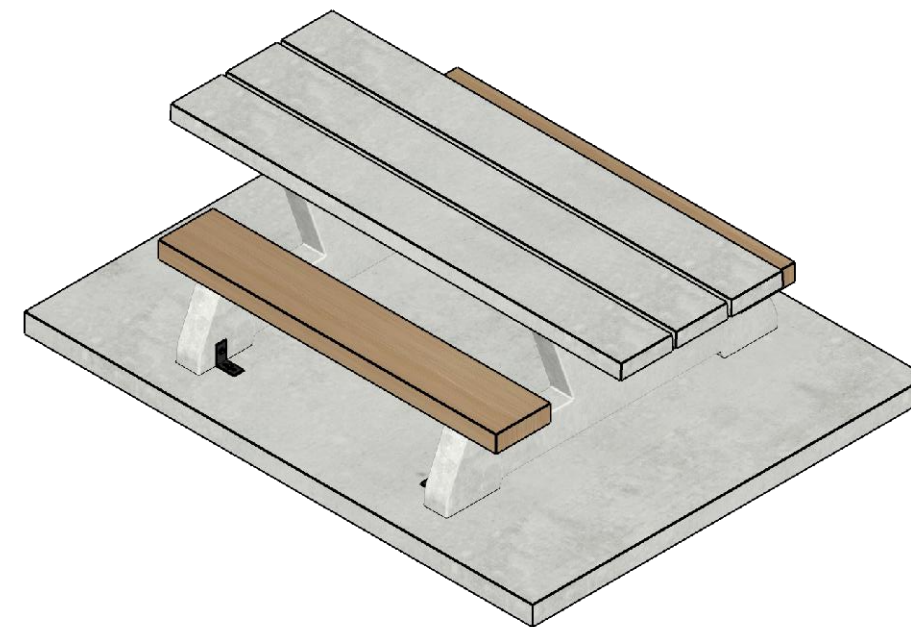
END VIEW

5/8" = 1'



TOP VIEW

5/8" = 1'



COMPLETE 3D PIECE ISOMETRIC VIEW

CUSTOMER DETAIL INFORMATION

QUANTITY	
FINISH	
COLOUR	
WEIGHT (TOTAL)	1881 LBS.
DIMENSIONS	95 3/4" x 70 1/2" x 29"



PROJECT DESCRIPTION:	
PACIFIC PICNIC ACCESSIBLE TABLES	

DRAWN BY:	REQD BY:	RN.	DESCRIPTION	MM/DD/YY	SCALE: AS SHOWN
YJE	JP				DATE: 05/17/21
APPROVED BY:					DWG NO: 01