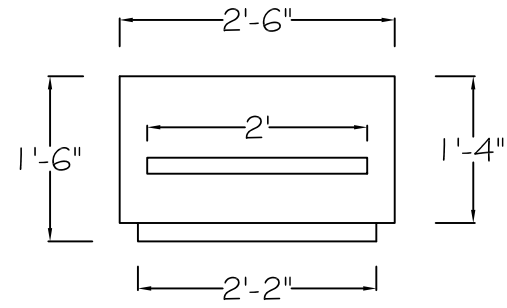


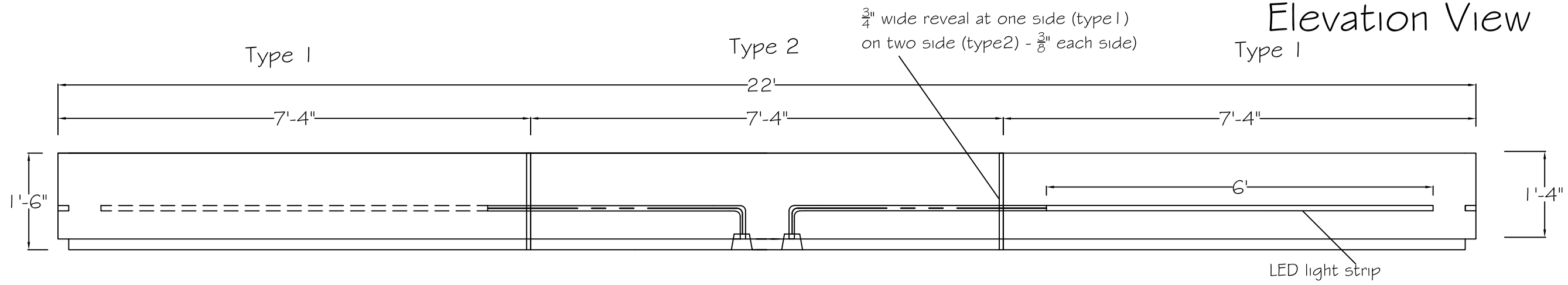
End Elevation



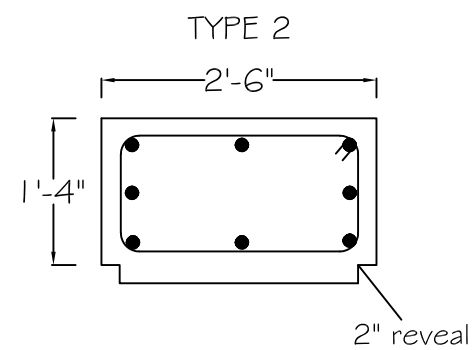
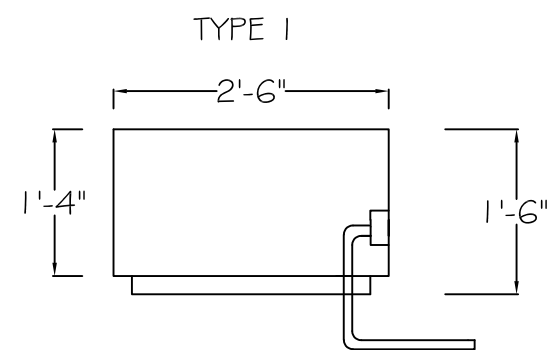
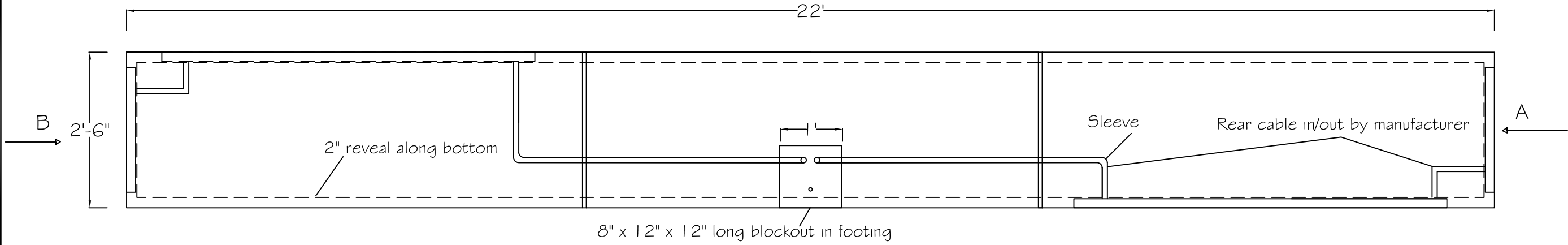
SANDERSON
CONCRETE
INC.

www.sandersonconcrete.ca
1 2665 116 Ave Surrey,
BC V3V 3S6
Ph. 604-580-4108
Toll free 800-671-8882
FAX.604-580-4111
info@sandersonconcrete.com

Elevation View



Plan View



PREPARED FOR

Ledcor

PROJECT NAME

Moscone Brentwood
Bench

REQUESTED BY:

JZ

DRAWN BY:

Chris Allen

DWG #

1/1

DATE MAY 2020

SCALE