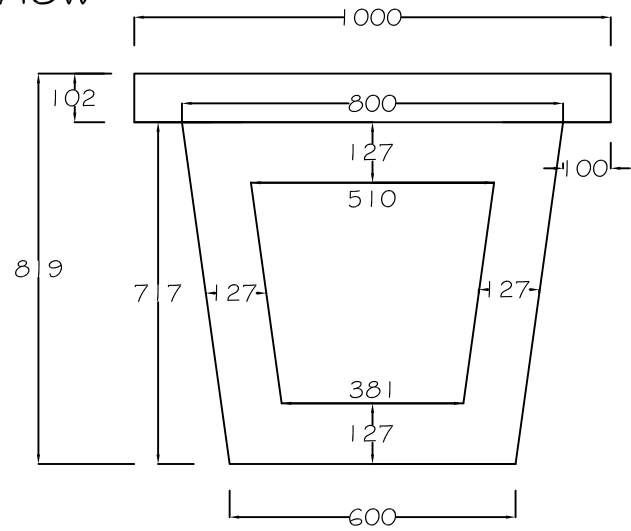
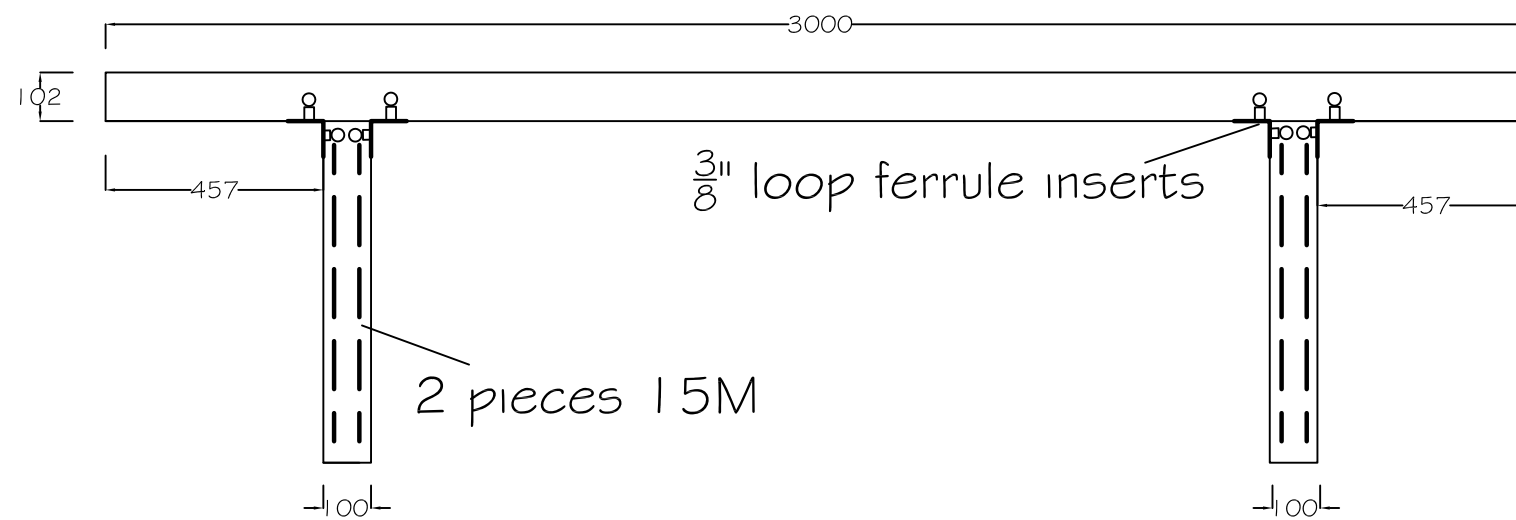


End View

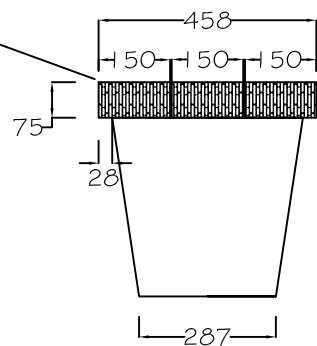


Side View



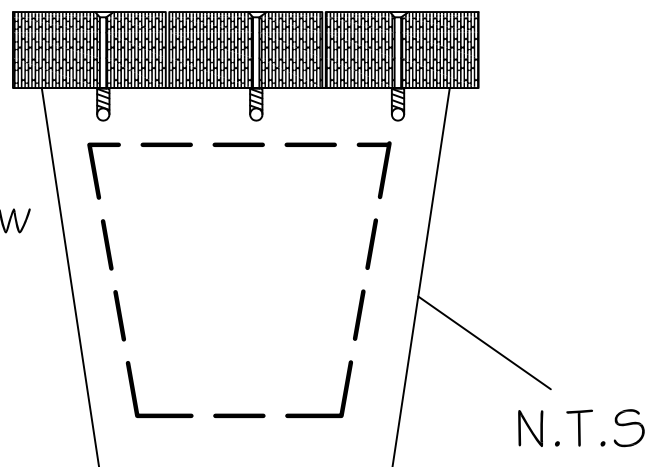
End View

3 pcs cedar  
150 x 75  
2 coats of  
Sikkens Cetol



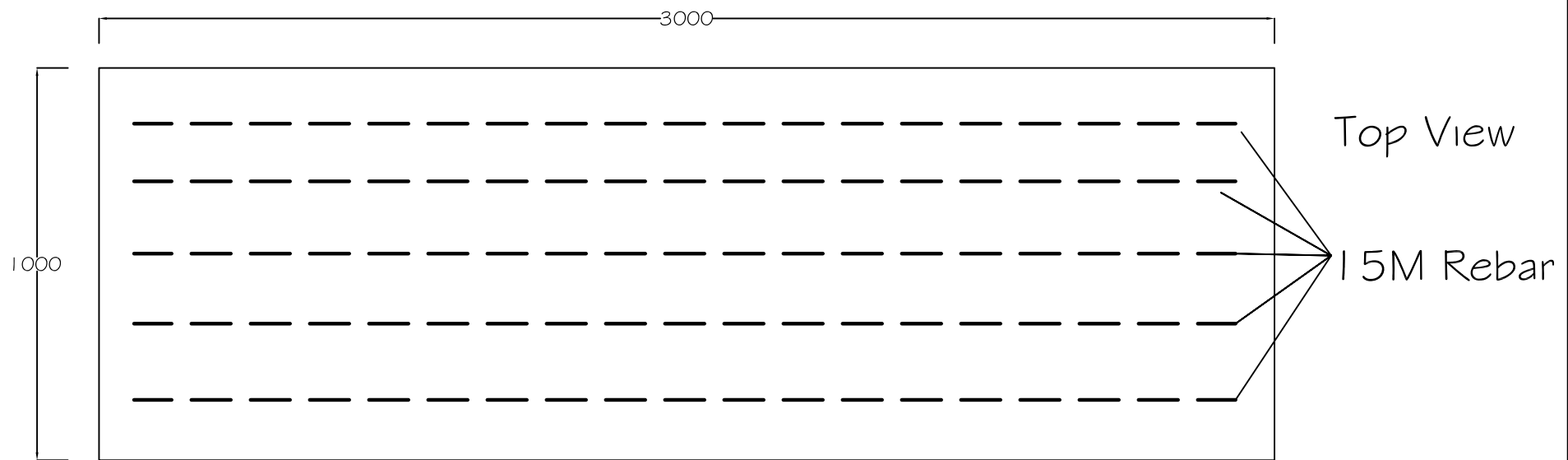
$\frac{3}{8}$ " loop ferrules  
2 per slat @ 450mm from ends  
c/w  $\frac{3}{8}$ " tapered head bolts

End View

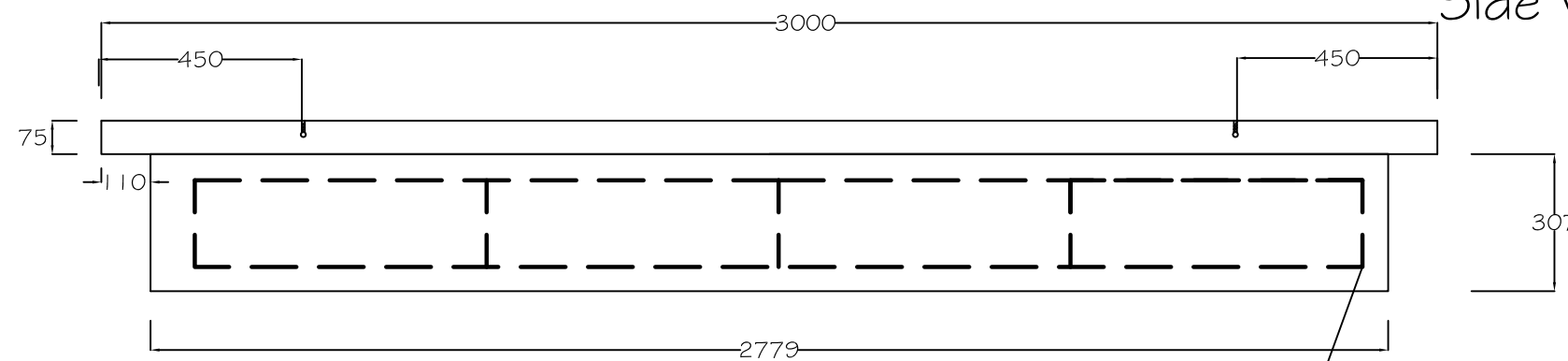


N.T.S

Top View



Side View



15M Rebar Cage

SANDERSON  
CONCRETE  
INC.

www.sandersonconcrete.ca  
12665 116 Ave Surrey,  
BC V3V 3S6  
Ph. 604-580-4108  
Toll free 800-671-8882  
FAX. 604-580-4111  
info@sandersonconcrete.com

PREPARED FOR

PROJECT NAME

UBC LOT 11

REQUESTED BY:

JAN ARNTORP

DRAWN BY:

Chris Allen

DWG #

1/1

DATE: October 2019

SCALE