



PROJECT DESCRIPTION:

MEDIUM BOWL PLANTER
WA48 48" dia X 22" tall

DRAWN BY:

V. TOSHANOVA

APPROVED BY:

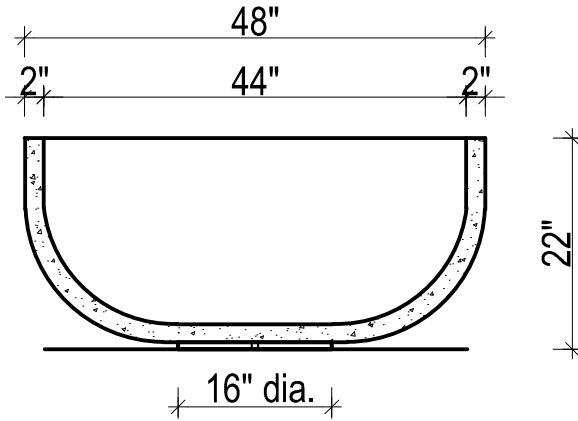
SCALE:

DATE:

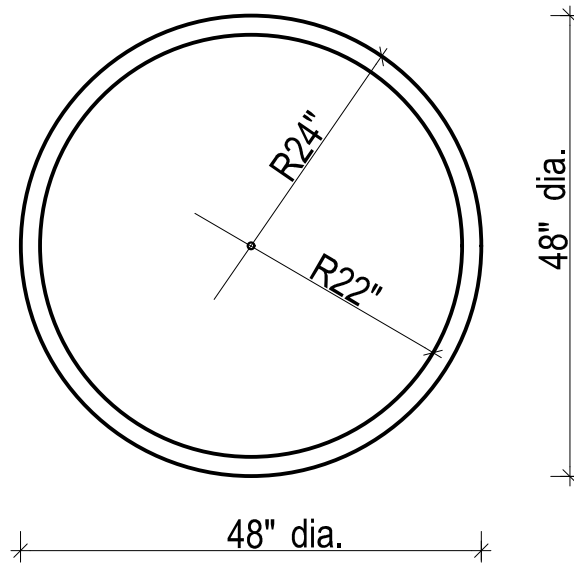
DWG NO:

REV DATE:

12665 116 Ave Surrey, BC V3V 3S6 Ph. 604-580-4108 toll free 800-671-8882 FAX 604-580-4111 info@sandersonconcrete.com



SECTION



TOP VIEW

ROUND PLANTER
WA48

Width x Length x Height
48" x 22"

weight
900 lb.