

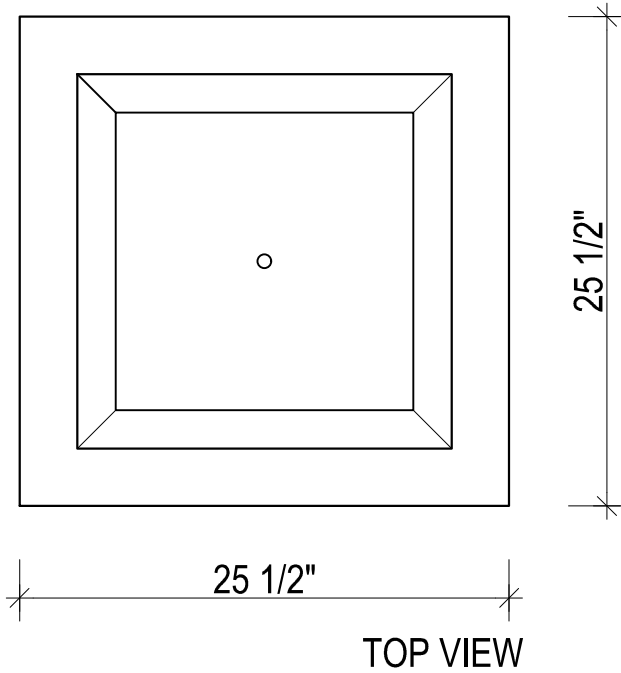
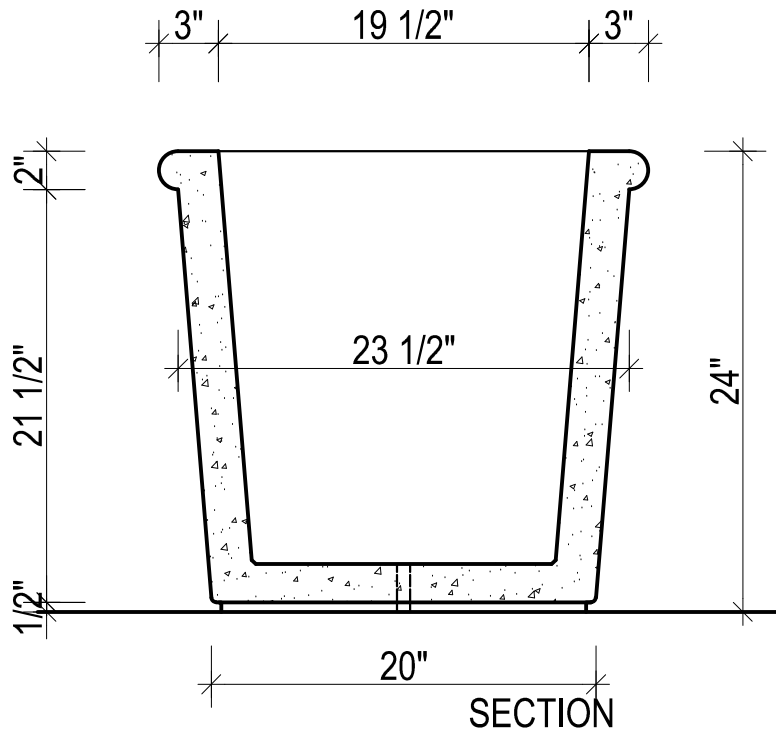


PROJECT DESCRIPTION:
SQUARE PLANTER
 SL24 25 1/2" x 25 1/2" X 24 tall

DRAWN BY:
 V. TOSHANOVA
 APPROVED BY:

SCALE:
 DATE:
 DWG NO:
 REV DATE:

12665 116 Ave Surrey, BC V3V 3S6 Ph. 604-580-4108 toll free 800-671-8882 FAX.604-580-411 info@sandersonconcrete.com



SQUARE PLANTER SL24	Width x Length x Height	weight
	25 1/2" x 25 1/2" X 24"	460 lb.