



PROJECT DESCRIPTION:
SQUARE PLANTER
S2418 24" x 24" x 18"

DRAWN BY:
V. TOSHANOVA

APPROVED BY:

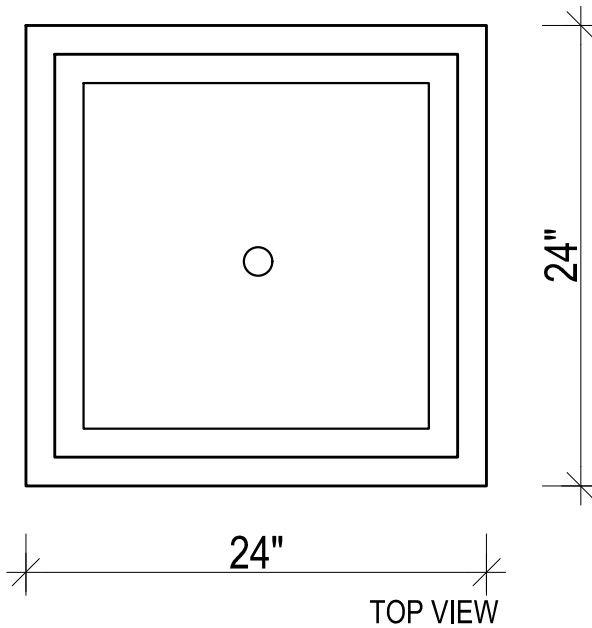
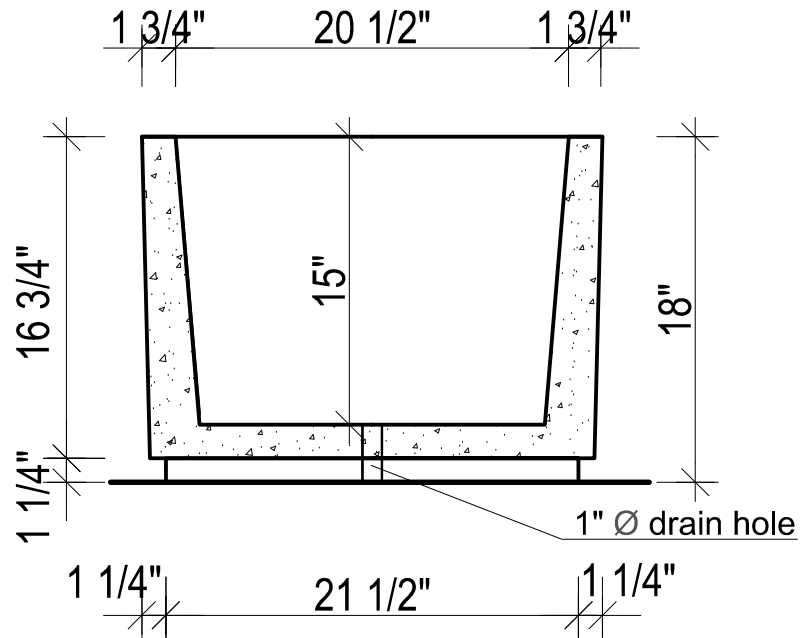
SCALE:

DATE:

DWG NO:

REV DATE:

12665 116 Ave Surrey, BC V3V 3S6 Ph. 604-580-4108 toll free 800-671-8882 FAX. 604-580-411 info@sandersonconcrete.com



Note: Lifting loops are for plant use and ground movement only and are not engineered for overhead use.
 Extreme caution must be used when lifting planter from lifting loops higher than 12" from ground.

S2418 Square Planter	Width x Length x Height	weight
	24" x 24" x 18"	350 lb.