



PROJECT DESCRIPTION:

RECTANGULAR PLANTER
RL49 49 1/2" x 13 1/2" x 12 tall

DRAWN BY:

V. TOSHANOVA

APPROVED BY:

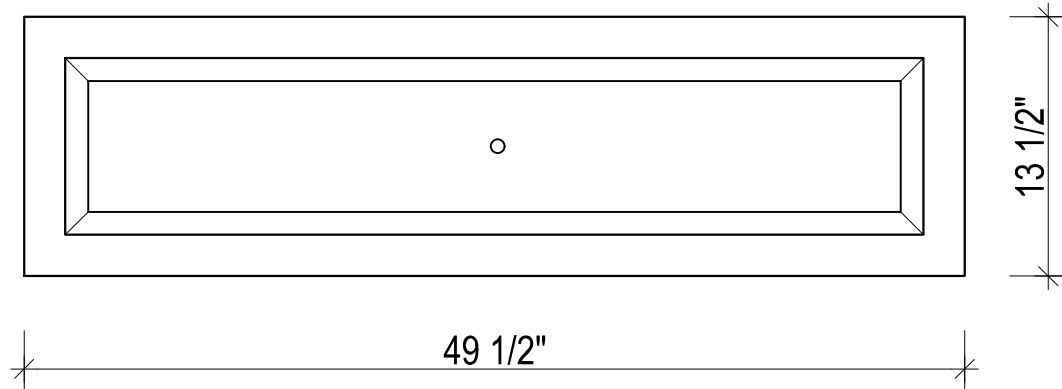
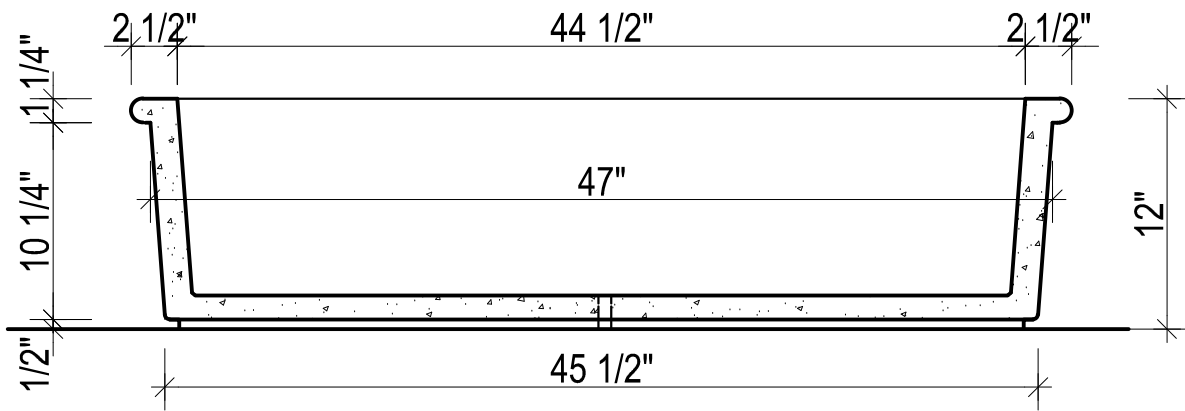
SCALE:

DATE:

DWG NO:

REV DATE:

12665 116 Ave Surrey, BC V3V 3S6 Ph. 604-580-4108 toll free 800-671-8882 FAX. 604-580-411 info@sandersonconcrete.com



RECTANGULAR PLANTER	Width x Length x Height	weight
RL49	49 1/2" x 13 1/2" X 12"	160 lb.