



PROJECT DESCRIPTION:
RECTANGULAR PLANTER
R3617 36" x 17" x 18"

DRAWN BY:
V. TOSHANOVA

APPROVED BY:

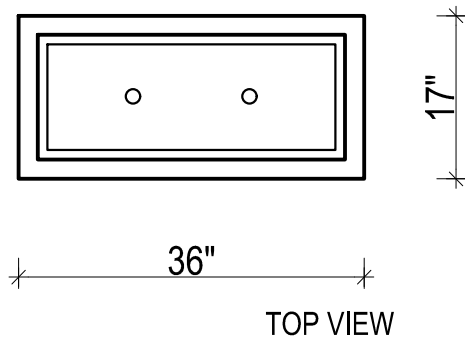
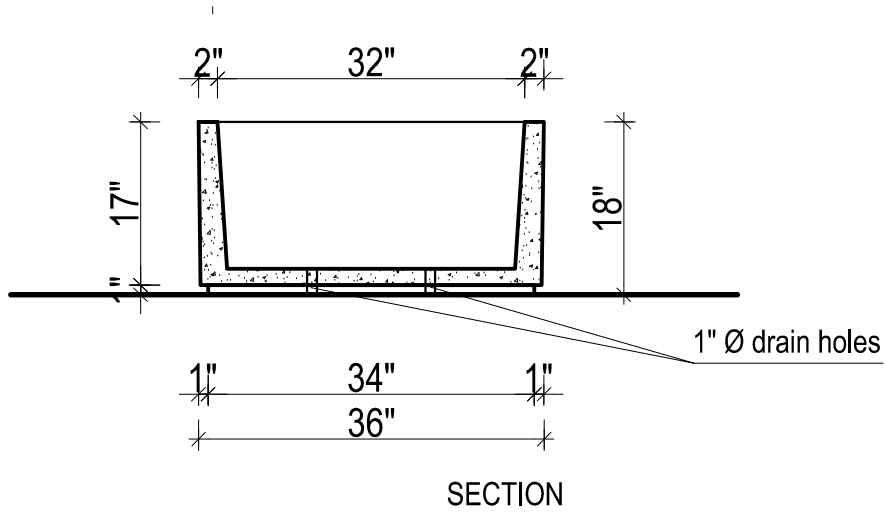
SCALE:

DATE:

DWG NO:

REV DATE:

12665 116 Ave Surrey, BC V3V 3S6 Ph. 604-580-4108 toll free 800-671-8882 FAX 604-580-411 info@sandersonconcrete.com



Note: Lifting loops are for plant use and ground movement only and are not engineered for overhead use.
 Extreme caution must be used when lifting planter from lifting loops higher than 12" from ground.

R 3617 Rectangular Planter	Width x Length x Height	weight
	36" x 17" x 18"	430 lb.