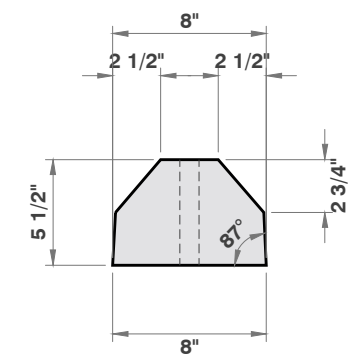
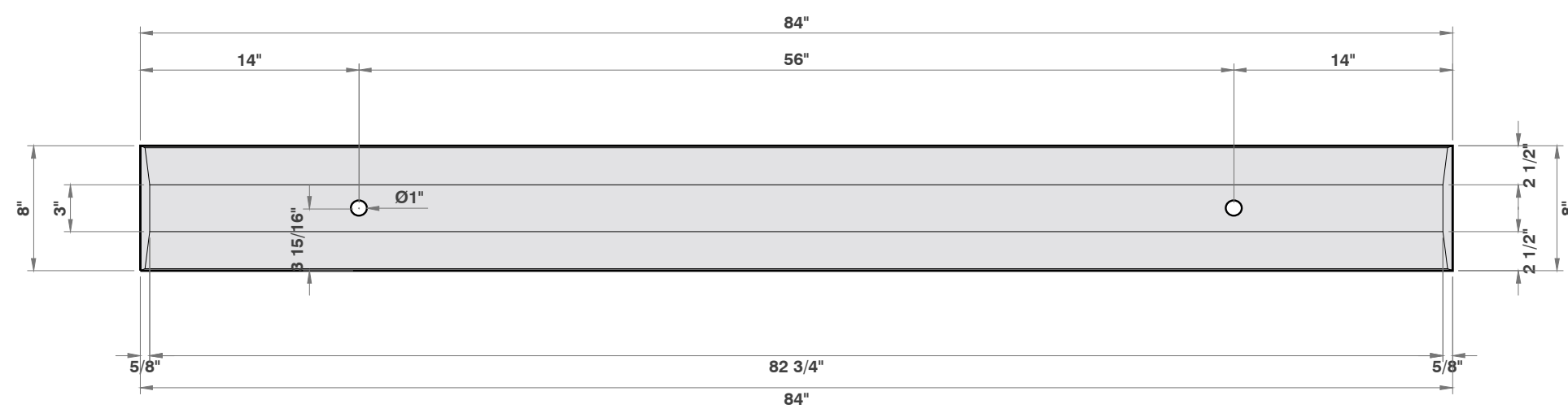


ELEVATION



END VIEW



TOP VIEW



3D DRAWING

I N F O R M A T I O N T A B L E					
LABEL	LENGTH	WIDTH	HEIGHT	REBAR	WEIGHT
STANDARD PROFILE	84"	8"	5 1/2"	1-15mm,1-10mm	272 lbs

C U S T O M E R D E T A I L I N F O R M A T I O N	
QUANTITY	
FINISH	PLAIN
COLOUR (NATURAL)	
WEIGHT	272 lbs
FERRULE INSERT	
DIMENSIONS	84" x 8" x 5 1/2"



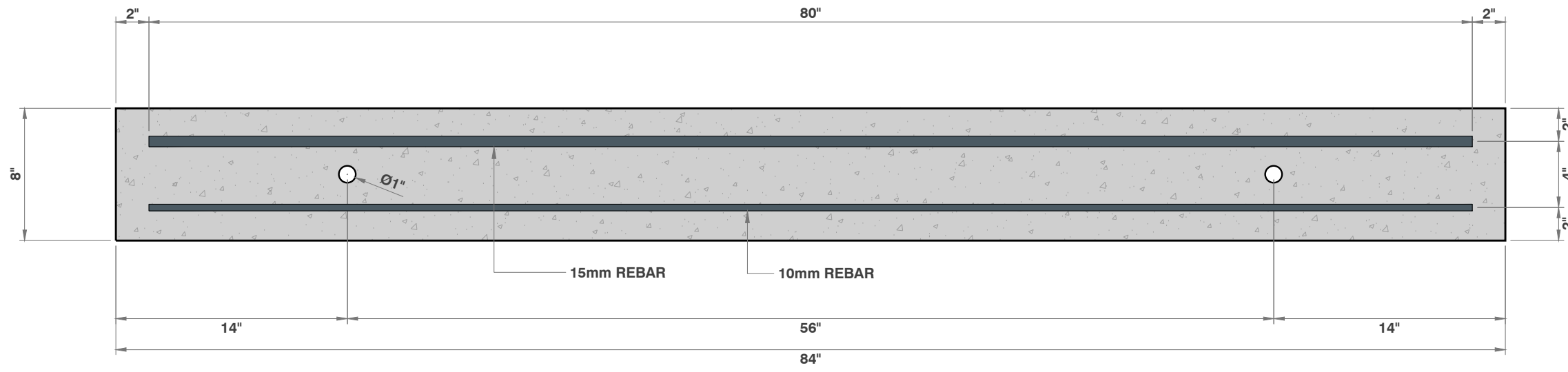
PROJECT DESCRIPTION:
STANDARD PROFILE PARKING CURB
 8" wide x 5 1/2" tall x 84" long

DRAWN BY:
Yves Jun Elnas

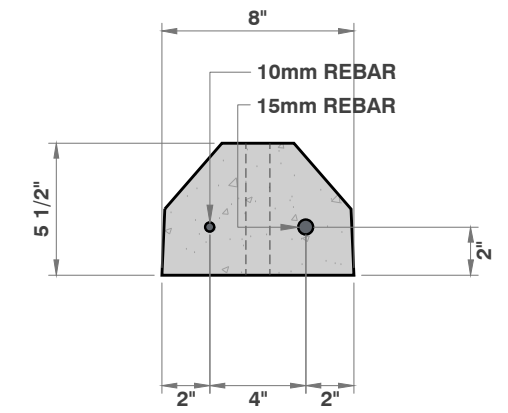
APPROVED BY:

NO.	DESCRIPTION	YY/MM/DD
01	DRAWING UPDATE	20/10/22
02	DRAWING UPDATE	20/10/27

SCALE:
 DATE: 12 October 2020
 DWG NO:
01



TOP VIEW



SECTION



PROJECT DESCRIPTION:

**STANDARD PROFILE PARKING CURB
(REINFORCEMENT DETAIL)**

DRAWN BY:

Yves Jun Elnas

APPROVED BY:

NO.	DESCRIPTION	YY/MM/DD
01	DRAWING UPDATE	20/10/22
02	DRAWING UPDATE	20/10/27

SCALE:

DATE: 12 October 2020

DWG NO:

02