



PROJECT DESCRIPTION:
SQUARE PLANTER
 SL19 19 1/2" x 19 1/2" X 16" tall

DRAWN BY:
 V. TOSHANOVA

APPROVED BY:

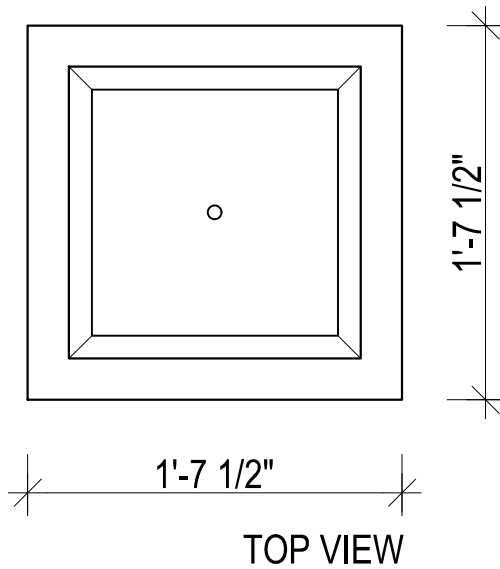
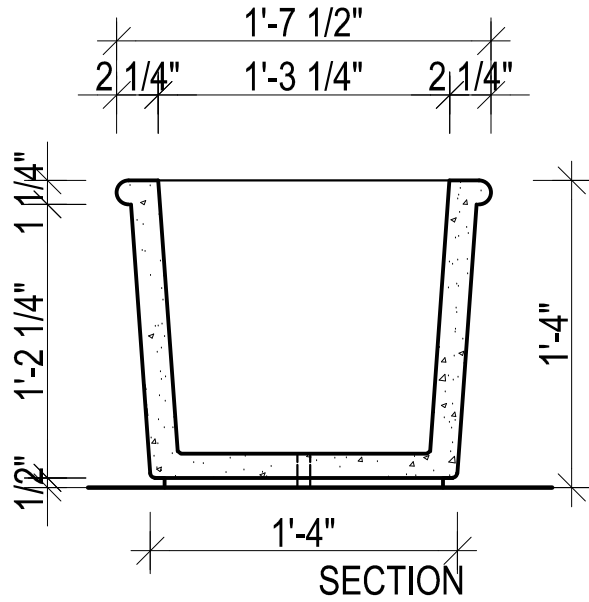
SCALE:

DATE:

DWG NO:

REV DATE:

12665 116 Ave Surrey, BC V3V 3S6 Ph. 604-580-4108 toll free 800-671-8882 FAX.604-580-411 info@sandersonconcrete.com



SQUARE PLANTER	Width x Length x Height	weight
SL19	19 1/2" x 19 1/2" X 16"	100 lbs