

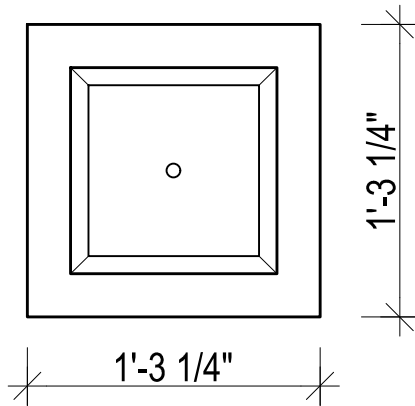
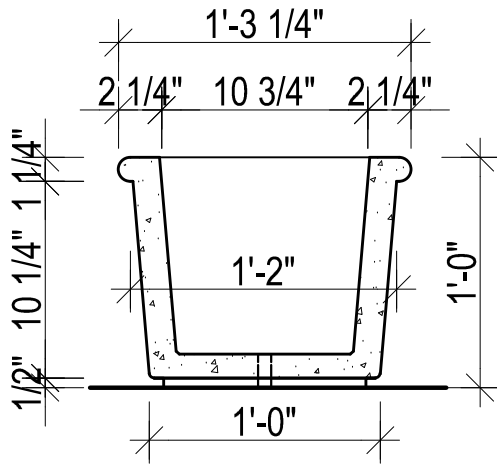


PROJECT DESCRIPTION:
SQUARE PLANTER
 SL15 15 1/4" x 15 1/4" X 12" tall

DRAWN BY:
 V. TOSHANOVA
 APPROVED BY:

SCALE:
 DATE:
 DWG NO:
 REV DATE:

12665 116 Ave Surrey, BC V3V 3S6 Ph. 604-580-4108 toll free 800-671-8882 FAX. 604-580-411 info@sandersonconcrete.com



SQUARE PLANTER SL15	Width x Length x Height	weight
	15 1/4" x 15 1/4" X 12"	50 lbs