



www.sandersonconcrete.ca

PROJECT DESCRIPTION:

TRAFFIC BOLLARD
MATSQUI 15

DRAWN BY:
V. TOSHANOVA

SCALE:

DATE:

APPROVED BY:

DWG NO:

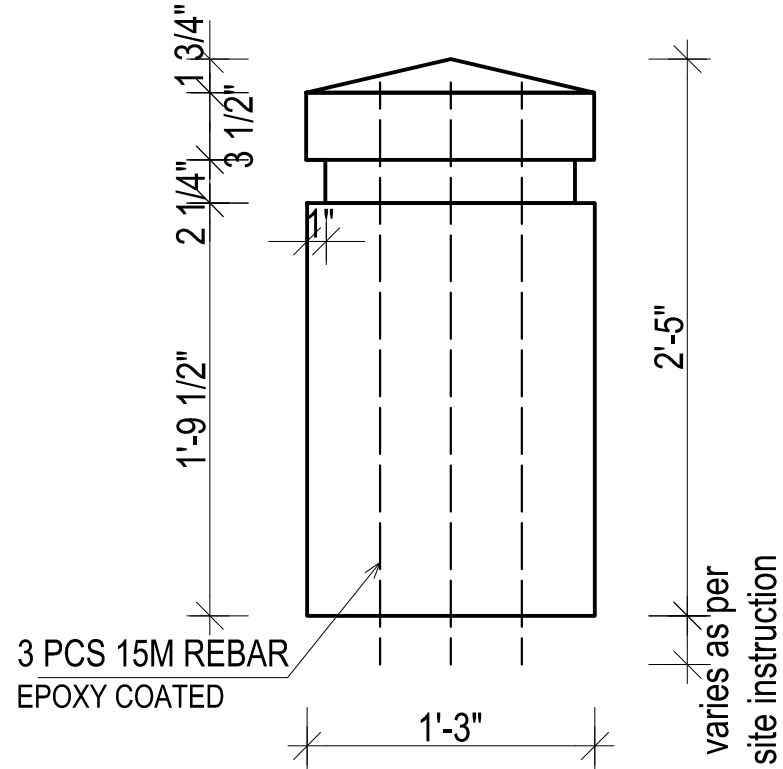
REV DATE:

12665 116 Ave Surrey, BC V3V 3S6

toll free 800-671-8882

FAX.604-580-411

info@sandersonconcrete.com



TRAFFIC BOLLARD MATSQUI 15	Diameter x Height	weight
	15" x 29"	500 lbs