



www.sandersonconcrete.ca

12665 116 Ave Surrey, BC V3V 3S6

CUSTOMER:  
 PROJECT NAME:  
**City of Vancouver Tree Grate**

Ph. 604-580-4108

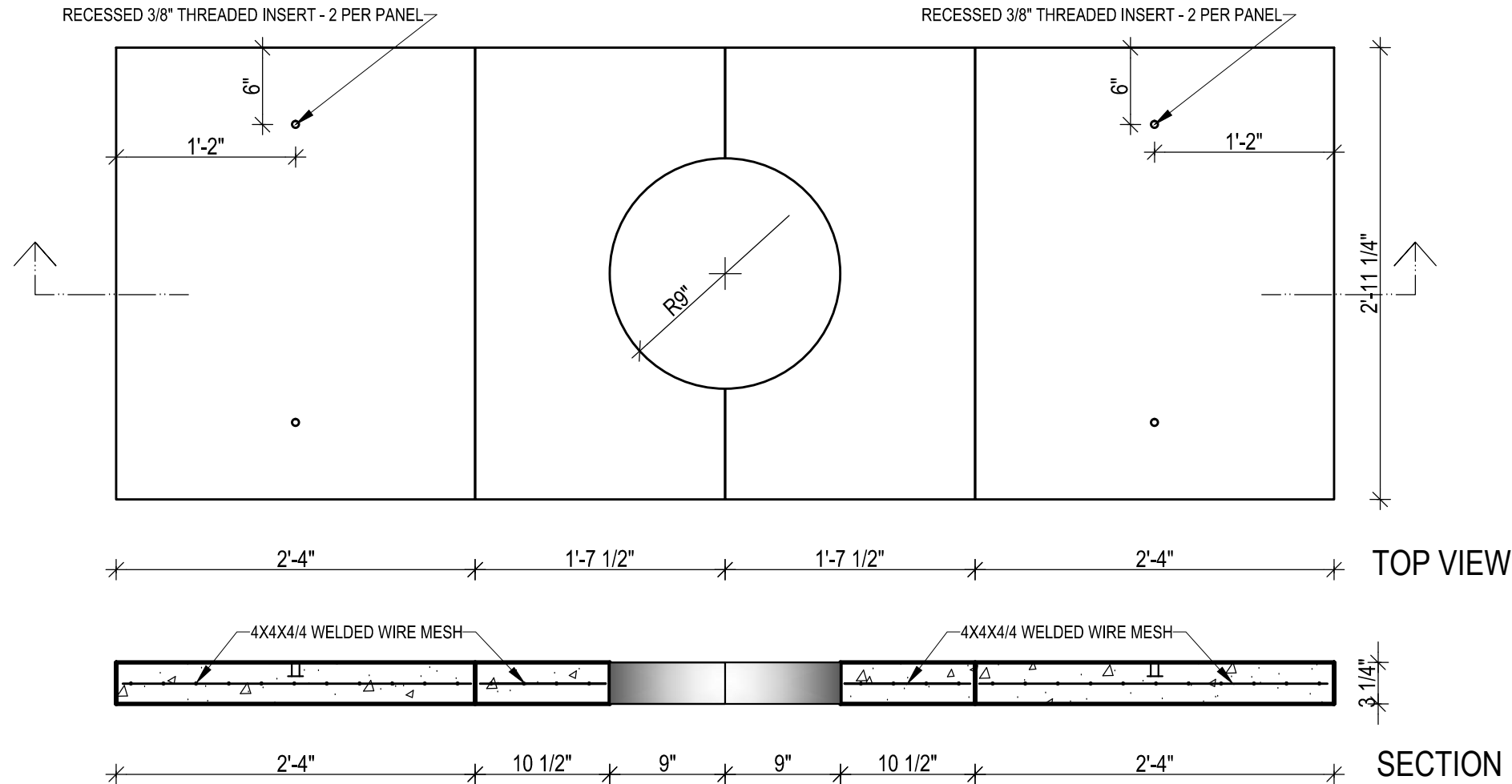
toll free 800-671-8882

FAX.604-580-411

REQUESTED BY:  
 JAN ARNTORP  
 DRAWN BY: VT  
 APPROVED BY:

SCALE:  
 DATE: 26 Oct 2015  
 DWG NO: 1 / 1  
 REV DATE:

info@sandersonconcrete.com



AVAILABLE IN EXPOSED AGGREGATE OR LIGHT SANDBLAST FINISH

